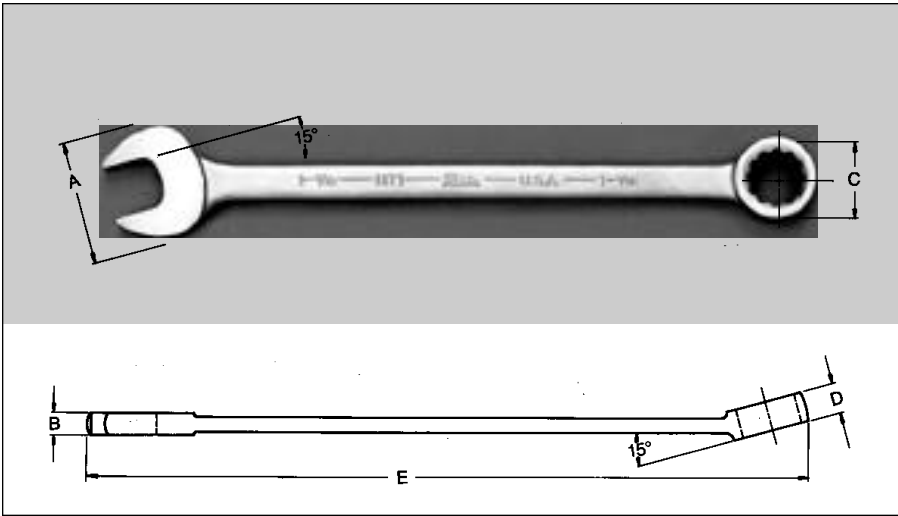


# Combination Wrenches



**American Alloy Steel**

**Drop Forged  
Long Pattern  
15° Angle  
12 Point Box**

**Versatile, General  
Purpose Wrench in a  
Complete Range of  
Openings, 1/4 thru  
2 1/2 . Chrome and  
Industrial Black Finish.**

Wrench Opening	Open End		Box End		Overall Length E	Weight Ea.-Lbs.	Chrome	Industrial Black	Std. Pkg. Qty.	Wrench Opening
	Diameter	Thickness	Diameter	Thickness			Part No.	Part No.		
	A	B	C	D						
1/4	19/32	1 1/64	7/16	7/32	5	.04	1158	BLK1158	6	1/4
5/16	1 1/16	3/16	33/64	1/4	5 1/2	.05	1159	BLK1159	6	5/16
1 1/32	1 1/16	3/16	33/64	1/4	5 1/2	.05	1159A	BLK1159A	6	1 1/32
3/8	53/64	7/32	5/8	9/32	6	.08	1160	BLK1160	6	3/8
7/16	6 1/64	1/4	45/64	2 1/64	6 1/2	.13	1161	BLK1161	6	7/16
1/2	1 1/16	1 1/64	3/4	23/64	7 1/8	.17	1162	BLK1162	6	1/2
9/16	1 13/64	19/64	7/8	25/64	7 3/4	.25	1163	BLK1163	6	9/16
5/8	1 1/16	2 1/64	5/4	7/16	8 1/16	.30	1164	BLK1164	6	5/8
1 1/16	1 1 1/32	23/64	1 3/4	15/32	9 1/4	.38	1165	BLK1165	6	1 1/16
3/4	1 1/16	3/8	1 1/4	1/2	10 3/8	.43	1166	BLK1166	6	3/4
13/16	1 1 1/16	1 1/32	1 1/2	1 1/32	11	.55	1167A	BLK1167A	6	13/16
7/8	1 13/16	2 1/64	1 1 1/4	9/16	12	.64	1167	BLK1167	6	7/8
15/16	1 15/16	2 3/64	1 3/8	1 1/32	13	.77	1168	BLK1168	6	15/16
1	2 1/16	2 1/64	1 1 1/2	1 1/32	14	.92	1170	BLK1170	6	1
1 1/16	2 3/16	2 3/64	1 1 1/2	5/8	15	1.07	1171	BLK1171	6	1 1/16
1 1/8	2 2 1/64	1 1/32	1 4 1/64	1 1/16	16 1/8	1.37	1172	BLK1172	6	1 1/8
1 1/4	2 3 1/64	3 1/64	1 1 1/2	3/4	17 3/8	1.8	1173	BLK1173	1	1 1/4
1 1/2	2 1 1/16	1 1/32	1 1 1/2	3/4	18	2.1	1174	BLK1174	1	1 1/2
1 3/8	2 1 3/16	9/16	1 3 1/32	25/32	18 1/4	2.1	1175	BLK1175	1	1 3/8
1 7/16	3 1 1/16	1 1/32	2 1/16	1 3/16	19 1/2	3.6	1176	BLK1176	1	1 7/16
1 1/2	3 1/16	5/8	2 5/32	2 1/32	20 1/2	3.4	1177	BLK1177	1	1 1/2
1 5/8	3 5/16	2 1/32	2 1 1/32	7/8	21 1/2	4.5	1180	BLK1180	1	1 5/8
1 1 1/16	3 1/16	1 1/16	2 1/16	2 3/32	22 1/2	4.5	1182	BLK1182	1	1 1 1/16
1 3/4	3 1 1/16	2 1/32	2 5/8	3 1/32	24	7.1	1184	BLK1184	1	1 3/4
1 1 1/16	3 1 1/16	2 1/32	2 3/8	3 1/32	24	7.0	1186	BLK1186	1	1 1 1/16
1 7/8	4 1/16	2 1/32	2 7/8	1 1/16	25 1/4	6.9	1188	BLK1188	1	1 7/8
2	4 1/16	2 1/32	2 7/8	1 1/16	25 1/4	6.8	1190	BLK1190	1	2
2 1/16	4 1/2	1 1/16	3 1/16	1 1/4	27 1/2	8.3	1191	BLK1191	1	2 1/16
2 1/8	4 9/32	1 3/16	3 1/16	1 3/4	27 1/2	8.2	1192	BLK1192	1	2 1/8
2 1/4	4 1 1/32	7/8	3 1/32	1 1/2	29 1/4	7.9	1193	BLK1193	1	2 1/4
2 1/2	4 1 1/32	7/8	3 1/32	1 1/2	29 1/4	7.7	1194	BLK1194	1	2 1/2
2 3/8	5	3 1/32	3 1 1/32	1 1/2	31	12.1	1195	BLK1195	1	2 3/8
2 1/2	5	3 1/32	3 1 1/32	1 1/2	31	11.7	1196	BLK1196	1	2 1/2

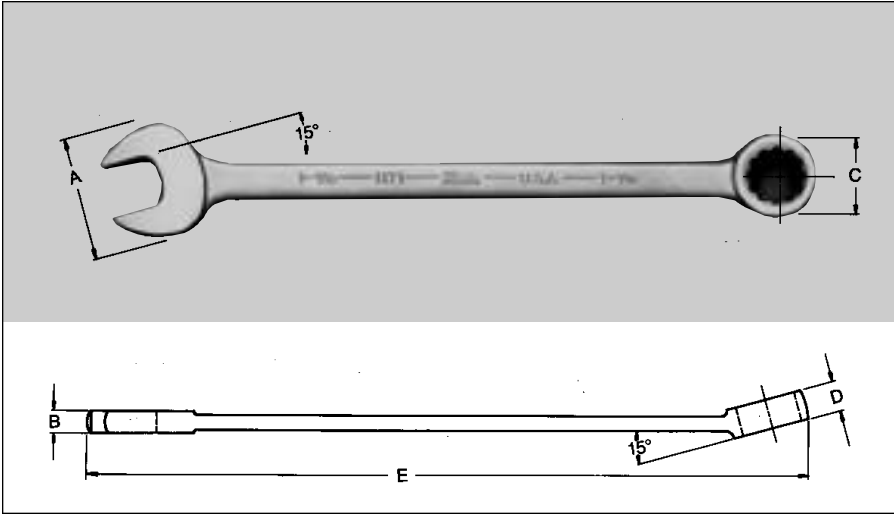


# Combination Wrenches

Convenient Sets Provide Popular Wrench Sizes Ranging from 3/8 thru 2 Openings. Sets are Available in 4 Sizes: 5, 7, 11 and 14 Wrenches, Packaged in a Handcrafted Fabric and Vinyl Roll Up Kit.

Chrome Sets							
C7K		C11K		C14K		HC5K	
OPENING	PART NO.	OPENING	PART NO.	OPENING	PART NO.	OPENING	PART NO.
3/8	1160	3/8	1160	3/8	1160	1 1/4	1173
7/16	1161	7/16	1161	7/16	1161	1 7/16	1176
1/2	1162	1/2	1162	1/2	1162	1 5/8	1180
9/16	1163	9/16	1163	9/16	1163	1 3/4	1186
5/8	1164	5/8	1164	5/8	1164	2	1190
1 1/16	1165	1 1/16	1165	1 1/16	1165	KIT BAG	C55
3/4	1166	3/4	1166	3/4	1166		
KIT BAG	C187	13/16	1167A	13/16	1167A		
		7/8	1167	7/8	1167		
		15/16	1168	15/16	1168		
		1	1170	1	1170		
		KIT BAG	C110	1 1/16	1171		
				1 1/8	1172		
				1 1/4	1173		
				KIT BAG	C140		
Industrial Black Sets							
CB7K		CB11K		CB14K		HCB5K	
OPENING	PART NO.	OPENING	PART NO.	OPENING	PART NO.	OPENING	PART NO.
3/8	BLK1160	3/8	BLK1160	3/8	BLK1160	1 1/4	BLK1173
7/16	BLK1161	7/16	BLK1161	7/16	BLK1161	1 7/16	BLK1176
1/2	BLK1162	1/2	BLK1162	1/2	BLK1162	1 5/8	BLK1180
9/16	BLK1163	9/16	BLK1163	9/16	BLK1163	1 3/4	BLK1186
5/8	BLK1164	5/8	BLK1164	5/8	BLK1164	2	BLK1190
1 1/16	BLK1165	1 1/16	BLK1165	1 1/16	BLK1165	KIT BAG	C55
3/4	BLK1166	3/4	BLK1166	3/4	BLK1166		
KIT BAG	C187	13/16	BLK1167A	13/16	BLK1167A		
		7/8	BLK1167	7/8	BLK1167		
		15/16	BLK1168	15/16	BLK1168		
		1	BLK1170	1	BLK1170		
		KIT BAG	C110	1 1/16	BLK1171		
				1 1/8	BLK1172		
				1 1/4	BLK1173		
				KIT BAG	C140		

# Combination Wrenches Metric



American Alloy Steel

Drop Forged  
Long Pattern  
15° Angle  
12 Point Box




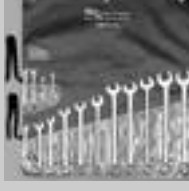



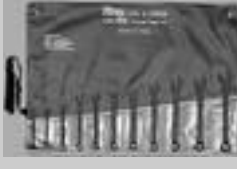


Versatile, General  
Purpose Wrench in a  
Complete Range of  
Openings, 6mm thru  
60mm. Chrome and  
Industrial Black Finish.

Wrench Opening	Open End		Box End		Overall Length E	Weight Ea.-Lbs.	Chrome	Industrial Black	Std. Pkg. Qty.	Wrench Opening
	Diameter	Thickness	Diameter	Thickness			Part No.	Part No.		
	A	B	C	D						
6 mm	15.0 mm	4.1 mm	11.2 mm	5.6 mm	127.0 mm	.04	1106MM	BLK1106MM	6	6 mm
7 mm	15.0 mm	4.1 mm	11.2 mm	5.6 mm	127.0 mm	.05	1107MM	BLK1107MM	6	7 mm
8 mm	17.5 mm	4.8 mm	13.2 mm	6.4 mm	139.7 mm	.05	1108MM	BLK1108MM	6	8 mm
9 mm	20.8 mm	5.6 mm	15.7 mm	7.4 mm	152.4 mm	.08	1109MM	BLK1109MM	6	9 mm
10 mm	24.1 mm	6.4 mm	17.8 mm	8.1 mm	165.1 mm	.13	1110MM	BLK1110MM	6	10 mm
11 mm	24.1 mm	6.4 mm	17.8 mm	8.1 mm	165.1 mm	.13	1111MM	BLK1111MM	6	11 mm
12 mm	26.9 mm	6.9 mm	20.3 mm	9.1 mm	180.8 mm	.17	1112MM	BLK1112MM	6	12 mm
13 mm	26.9 mm	6.9 mm	20.3 mm	9.1 mm	180.8 mm	.17	1113MM	BLK1113MM	6	13 mm
14 mm	30.2 mm	7.6 mm	22.1 mm	9.7 mm	196.9 mm	.25	1114MM	BLK1114MM	6	14 mm
15 mm	33.3 mm	8.1 mm	24.1 mm	10.9 mm	215.9 mm	.30	1115MM	BLK1115MM	6	15 mm
16 mm	33.3 mm	8.1 mm	24.1 mm	10.9 mm	215.9 mm	.30	1116MM	BLK1116MM	6	16 mm
17 mm	38.9 mm	8.9 mm	26.4 mm	11.7 mm	235.0 mm	.38	1117MM	BLK1117MM	6	17 mm
18 mm	38.9 mm	8.9 mm	26.4 mm	11.7 mm	235.0 mm	.38	1118MM	BLK1118MM	6	18 mm
19 mm	39.6 mm	9.4 mm	28.7 mm	12.7 mm	257.0 mm	.43	1119MM	BLK1119MM	6	19 mm
20 mm	42.9 mm	10.2 mm	31.0 mm	13.5 mm	279.4 mm	.55	1120MM	BLK1120MM	6	20 mm
21 mm	42.9 mm	10.2 mm	31.0 mm	13.5 mm	279.4 mm	.55	1121MM	BLK1121MM	6	21 mm
22 mm	46.0 mm	10.7 mm	33.0 mm	14.2 mm	304.8 mm	.64	1122MM	BLK1122MM	6	22 mm
23 mm	49.3 mm	11.4 mm	35.1 mm	15.0 mm	330.2 mm	.77	1123MM	BLK1123MM	6	23 mm
24 mm	49.3 mm	11.4 mm	35.1 mm	15.0 mm	330.2 mm	.77	1124MM	BLK1124MM	6	24 mm
25 mm	52.3 mm	10.4 mm	37.3 mm	15.0 mm	355.6 mm	.92	1125MM	BLK1125MM	6	25 mm
26 mm	55.6 mm	11.2 mm	39.6 mm	15.7 mm	381.0 mm	1.07	1126MM	BLK1126MM	6	26 mm
27 mm	55.6 mm	11.2 mm	39.6 mm	15.7 mm	381.0 mm	1.07	1127MM	BLK1127MM	1	27 mm
28 mm	58.9 mm	13.5 mm	41.7 mm	17.5 mm	409.4 mm	1.40	1128MM	BLK1128MM	1	28 mm
29 mm	58.9 mm	13.5 mm	41.7 mm	17.5 mm	409.4 mm	1.34	1129MM	BLK1129MM	1	29 mm
30 mm	65.5 mm	14.7 mm	46.0 mm	19.1 mm	436.6 mm	1.80	1130MM	BLK1130MM	1	30 mm
32 mm	68.3 mm	13.5 mm	47.8 mm	19.1 mm	457.2 mm	1.80	1132MM	BLK1132MM	1	32 mm
34 mm	71.4 mm	14.2 mm	50.0 mm	19.8 mm	476.3 mm	2.10	1134MM	BLK1134MM	1	34 mm
36 mm	74.7 mm	15.0 mm	52.3 mm	20.6 mm	495.3 mm	3.60	1136MM	BLK1136MM	1	36 mm
41 mm	84.1 mm	16.8 mm	59.4 mm	22.4 mm	546.1 mm	4.50	1141MM	BLK1141MM	1	41 mm
46 mm	93.7 mm	18.3 mm	66.5 mm	24.6 mm	609.6 mm	7.00	1146MM	BLK1146MM	1	46 mm
50 mm	103.1 mm	19.8 mm	73.2 mm	26.9 mm	654.1 mm	6.80	1150MM	BLK1150MM	1	50 mm
55 mm	115.1 mm	22.4 mm	81.8 mm	30.2 mm	743.0 mm	7.90	1155MM	BLK1155MM	1	55 mm
60 mm	127.0 mm	24.6 mm	89.7 mm	33.3 mm	787.4 mm	12.10	1160MM	BLK1160MM	1	60 mm



# Combination Wrench Metric Sets

Convenient Sets Provide Popular Wrench Sizes Ranging from 7 mm thru 32 mm Openings. Sets are Available in 5 Sizes: 7, 9, 11, 15 and 18 Wrenches, Packaged in a Handcrafted Fabric and Vinyl Roll Up Kit.

Chrome Sets				
C7KM	C9KM	C11KM	C15KM	C18KM
				
11 mm .....1111MM 12 mm .....1112MM 13 mm .....1113MM 14 mm .....1114MM 16 mm .....1116MM 17 mm .....1117MM 19 mm .....1119MM Kit Bag .....C187	7 mm .....1107MM 8 mm .....1108MM 9 mm .....1109MM 10 mm .....1110MM 11 mm .....1111MM 12 mm .....1112MM 13 mm .....1113MM 14 mm .....1114MM 15 mm .....1115MM Kit Bag .....C90	7 mm .....1107MM 8 mm .....1108MM 9 mm .....1109MM 10 mm .....1110MM 11 mm .....1111MM 12 mm .....1112MM 13 mm .....1113MM 14 mm .....1114MM 15 mm .....1115MM 16 mm .....1116MM 17 mm .....1117MM Kit Bag .....C111	7 mm .....1107MM 8 mm .....1108MM 10 mm .....1110MM 12 mm .....1112MM 14 mm .....1114MM 16 mm .....1116MM 18 mm .....1118MM 20 mm .....1120MM 22 mm .....1122MM 24 mm .....1124MM 26 mm .....1126MM 28 mm .....1128MM 29 mm .....1129MM 30 mm .....1130MM 32 mm .....1132MM Kit Bag .....C150	7 mm .....1107MM 8 mm .....1108MM 9 mm .....1109MM 10 mm .....1110MM 11 mm .....1111MM 12 mm .....1112MM 13 mm .....1113MM 14 mm .....1114MM 15 mm .....1115MM 16 mm .....1116MM 17 mm .....1117MM 18 mm .....1118MM 19 mm .....1119MM 20 mm .....1120MM 21 mm .....1121MM 22 mm .....1122MM 23 mm .....1123MM 24 mm .....1124MM Kit Bag .....C180
Industrial Black Sets				
CB7KM	CB9KM	CB11KM	CB15KM	CB18KM
				
11 mm .....BLK1111MM 12 mm .....BLK1112MM 13 mm .....BLK1113MM 14 mm .....BLK1114MM 16 mm .....BLK1116MM 17 mm .....BLK1117MM 19 mm .....BLK1119MM Kit Bag .....C187	7 mm .....BLK1107MM 8 mm .....BLK1108MM 9 mm .....BLK1109MM 10 mm .....BLK1110MM 11 mm .....BLK1111MM 12 mm .....BLK1112MM 13 mm .....BLK1113MM 14 mm .....BLK1114MM 15 mm .....BLK1115MM Kit Bag .....C90	7 mm .....BLK1107MM 8 mm .....BLK1108MM 9 mm .....BLK1109MM 10 mm .....BLK1110MM 11 mm .....BLK1111MM 12 mm .....BLK1112MM 13 mm .....BLK1113MM 14 mm .....BLK1114MM 15 mm .....BLK1115MM 16 mm .....BLK1116MM 17 mm .....BLK1117MM Kit Bag .....C111	7 mm .....BLK1107MM 8 mm .....BLK1108MM 10 mm .....BLK1110MM 12 mm .....BLK1112MM 14 mm .....BLK1114MM 16 mm .....BLK1116MM 18 mm .....BLK1118MM 20 mm .....BLK1120MM 22 mm .....BLK1122MM 24 mm .....BLK1124MM 26 mm .....BLK1126MM 28 mm .....BLK1128MM 29 mm .....BLK1129MM 30 mm .....BLK1130MM 32 mm .....BLK1132MM Kit Bag .....C150	7 mm .....BLK1107MM 8 mm .....BLK1108MM 9 mm .....BLK1109MM 10 mm .....BLK1110MM 11 mm .....BLK1111MM 12 mm .....BLK1112MM 13 mm .....BLK1113MM 14 mm .....BLK1114MM 15 mm .....BLK1115MM 16 mm .....BLK1116MM 17 mm .....BLK1117MM 18 mm .....BLK1118MM 19 mm .....BLK1119MM 20 mm .....BLK1120MM 21 mm .....BLK1121MM 22 mm .....BLK1122MM 23 mm .....BLK1123MM 24 mm .....BLK1124MM Kit Bag .....C180